

Truck Info

Company		Unit #	
VIN #	Lic. #	Make	Year Built
Measured By		Date	

Alex Perez,
Measurements & Installations
CELL 310.889.5099
OFFICE 702.614.1000
FAX 702.614.9900
alex@epicworldwide.com

Instructions

- Mark indicating where you started and ended each measurement
- Draw any hardware or damage that could interfere with the installation
- Complete in Feet, Inches and Fractions to the 1/8"

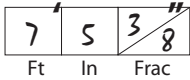
Y N Do we need to...?

- Remove Existing Decal
- Relocate Conspicuity Tape
- Relocate Hazmat Signs

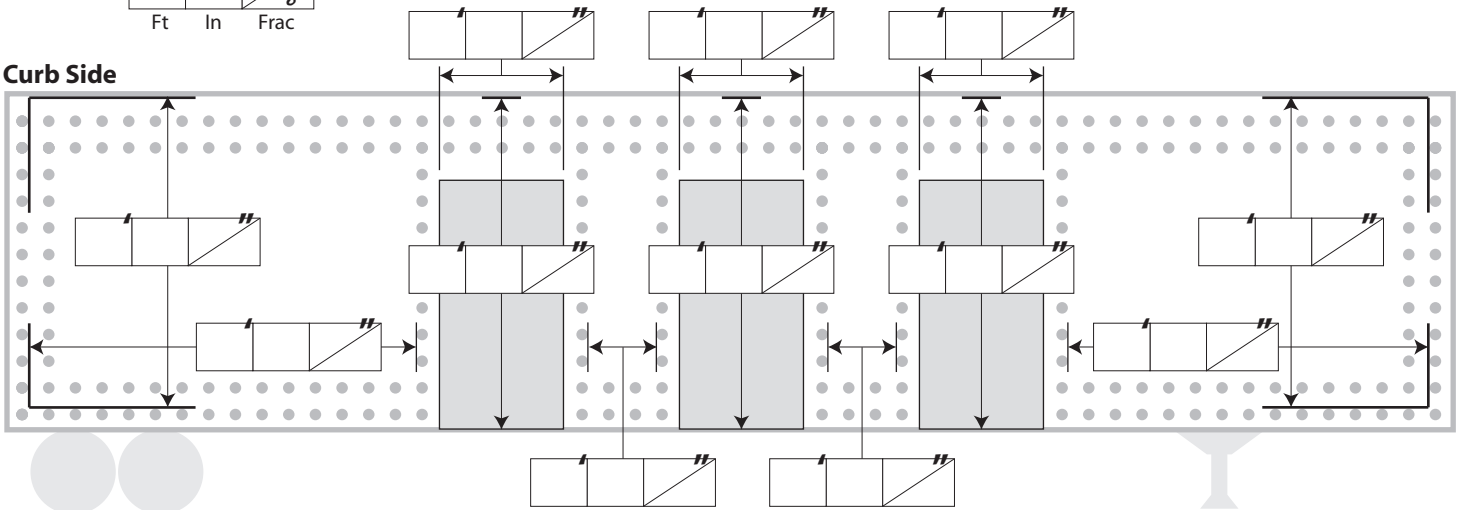
Y N Truck side type

- Corrugated - horizontal ribs
- Aluminum - lots of rivets
- FRP - fewer rivets

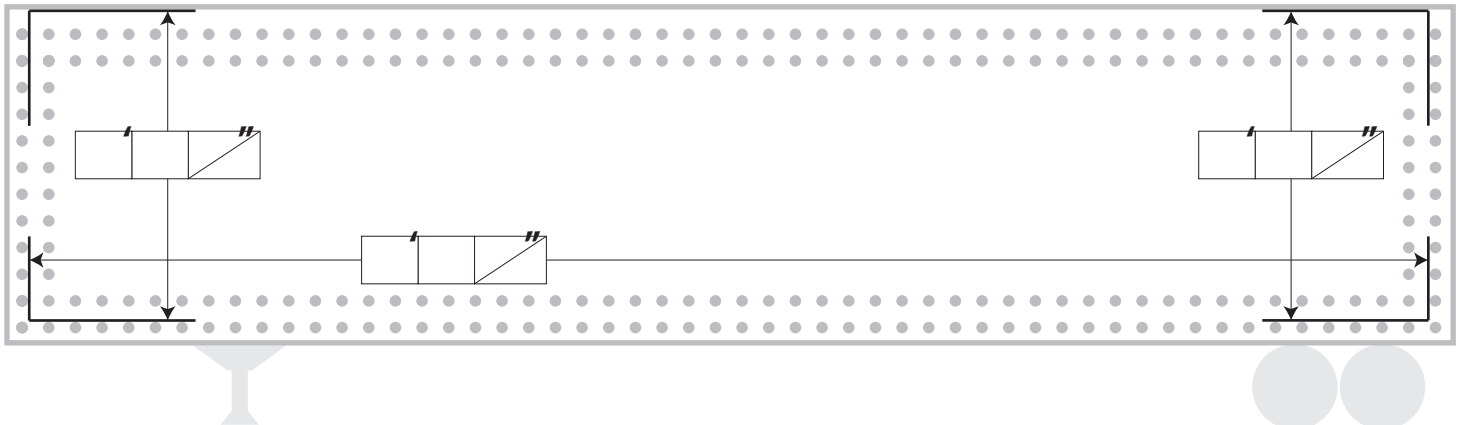
Example:



Curb Side



Driver Side



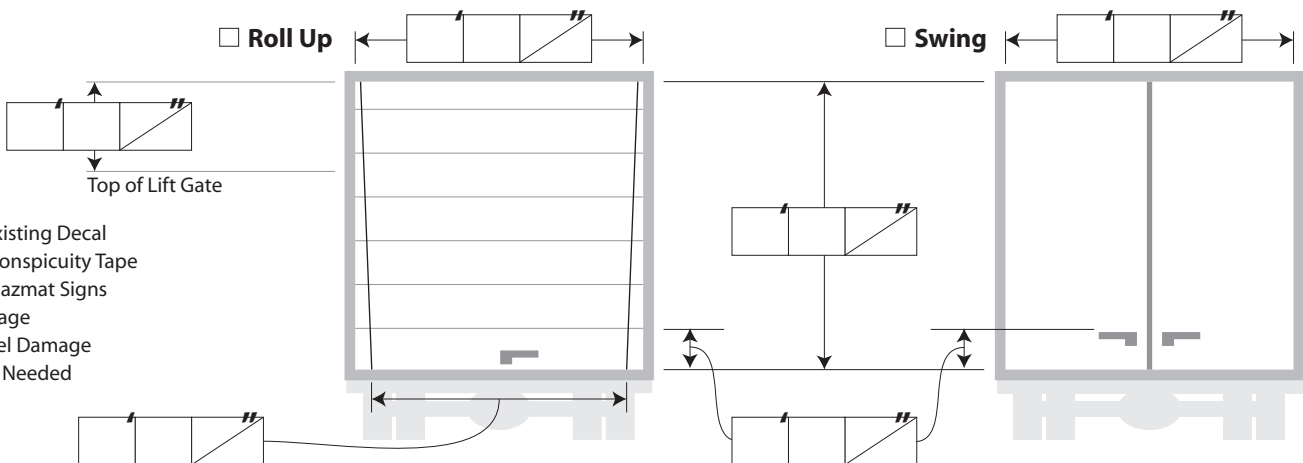
Rear Door

Roll Up

Swing

Y N

- Lift Gate



- Remove Existing Decal
- Relocate Conspicuity Tape
- Relocate Hazmat Signs
- Paint Damage
- Wood Panel Damage
- Prep-work Needed