

TRAILER - NO SIDE DOORS

KWIK ZIP FRAME MEASURING PROTOCOL



Once the measurements are completed,
Please fax or email to:

MEASUREMENTS & INSTALLATIONS
OFFICE (702)614-1000 • FAX (702)614-9900
E-MAIL: epicmeasurements@gmail.com

SALES ORDER # _____

COMPANY: _____

CONTACT: _____

ADDRESS: _____

CITY: _____

E-MAIL: _____

PHONE: _____

CELL: _____

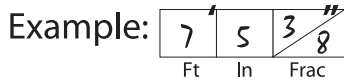
COMMENTS: _____

TRUCK INFORMATION

UNIT #	VIN #	
LIC. #	MAKE	YEAR BUILT
Measured By	Date	

INSTRUCTIONS

- Mark indicating where you started and ended each measurement
- Draw any hardware or damage that could interfere with the installation
- Complete in Feet, Inches and Fractions to the 1/8"



YES DO WE NEED TO...?

REMOVE EXISTING DECAL
NUMBER OF LAYERS TO REMOVE 1 2 3

RELOCATE CONSPICUITY TAPE

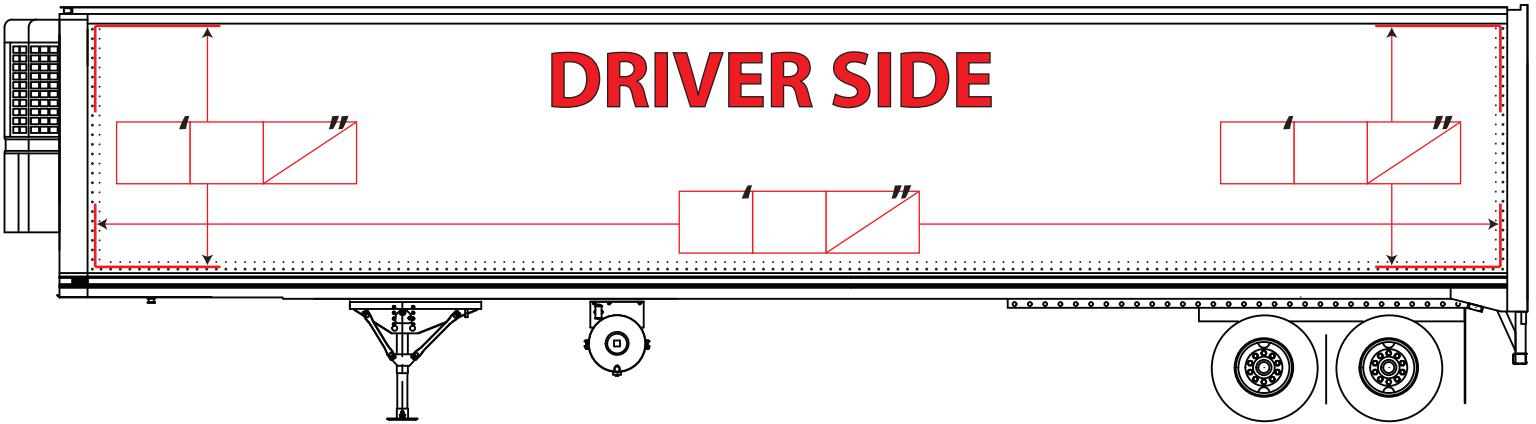
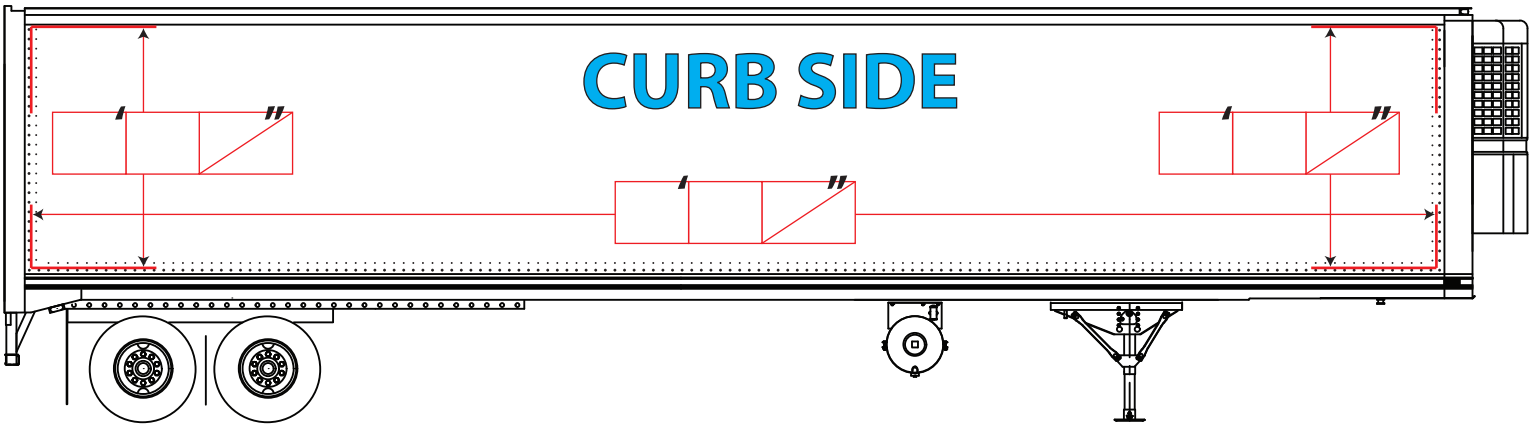
RELOCATE HAZMAT SIGNS

YES TRUCK SIDE TYPE

CURRUGATED - HORIZONTAL RIBS

ALUMINUM - LOTS OF RIVETS

FRP - FEWER RIVETS

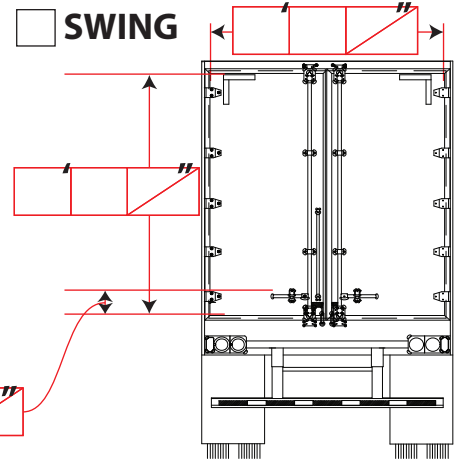
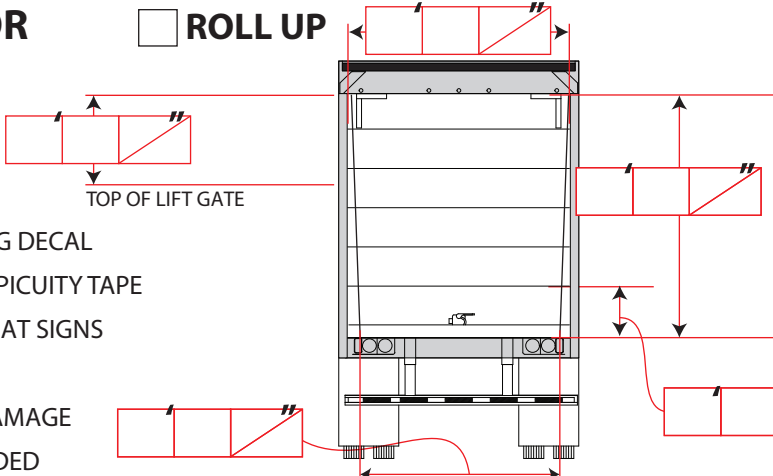


REAR DOOR

ROLL UP

SWING

- YES**
- LIFT GATE



- YES**
- REMOVE EXISTING DECAL
 - RELOCATE CONSPICUITY TAPE
 - RELOCATE HAZMAT SIGNS
 - PAINT DAMAGE
 - WOOD PANEL DAMAGE
 - PREP-WORK NEEDED