

# TRAILER - NO SIDE DOORS

# KWIK ZIP FRAME MEASURING PROTOCOL



Once completed, please fax or email to:

E-MAIL: [epicmeasurements@epicworldwide.com](mailto:epicmeasurements@epicworldwide.com)

FAX (702)614-9900

SALES ORDER # \_\_\_\_\_

COMPANY: \_\_\_\_\_

CONTACT: \_\_\_\_\_

ADDRESS: \_\_\_\_\_

CITY: \_\_\_\_\_

E-MAIL: \_\_\_\_\_

PHONE: \_\_\_\_\_

COMMENTS: \_\_\_\_\_

## TRUCK/TRAILER INFORMATION

UNIT #	VIN #	
LIC. #	MAKE	YEAR BUILT
Measured By	Date	

### INSTRUCTIONS

Draw any hardware or damage that could interfere with the installation. Complete in Feet, Inches and Fractions to the 1/8"

### DO WE NEED TO?

- REMOVE EXISTING DECAL
- RELOCATE CONSPICUITY TAPE
- RELOCATE HAZMAT SIGNS

### VERY IMPORTANT - PLEASE ANSWER

REAR DOOR  
LIFT GATE?

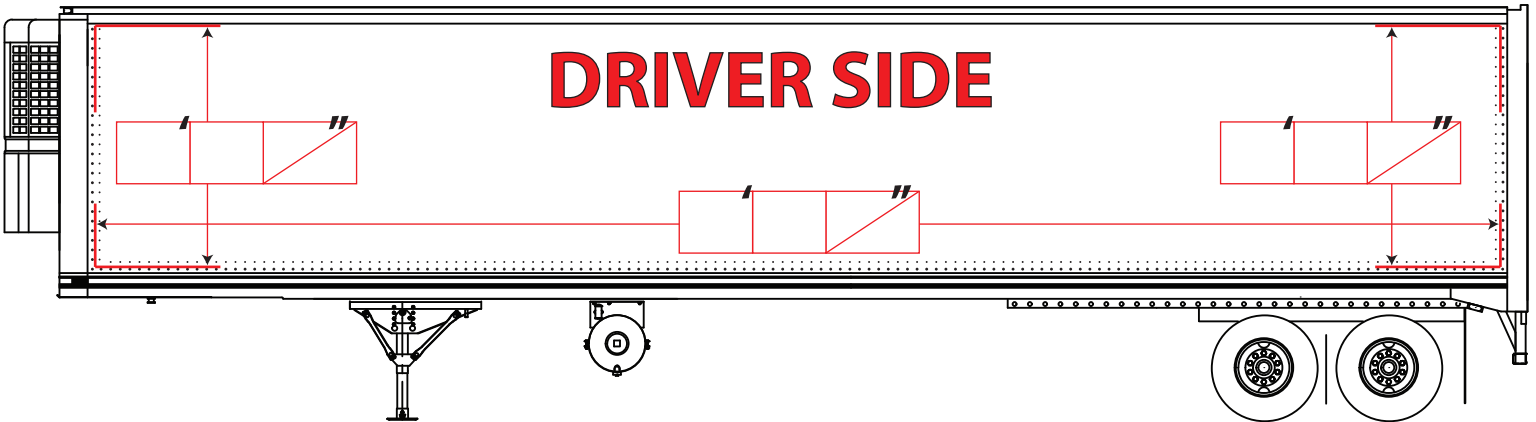
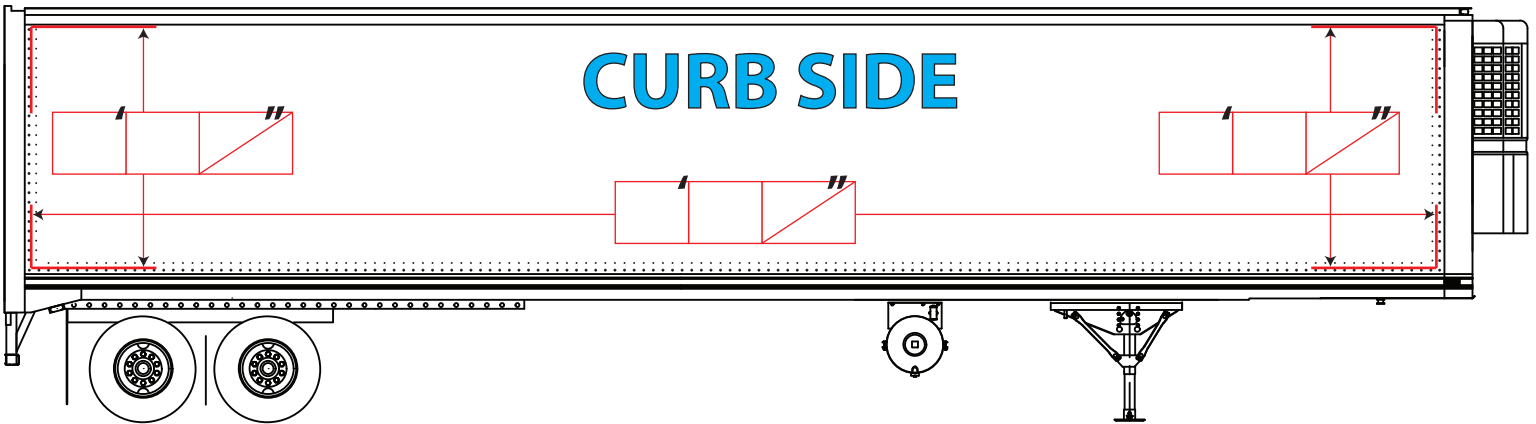
- YES
- NO

### SURFACE TYPE

- CORRUGATED - HORIZONTAL RIBS
- ALUMINUM - LOTS OF RIVETS
- FRP - FEWER RIVETS
- COMPOSITE - DURAPLATE OR Z-PLATE

Example: 

7	5	3
Ft	In	Frac



## REAR DOOR

ROLL UP

SWING

YES

- REMOVE EXISTING DECAL
- RELOCATE CONSPICUITY TAPE
- RELOCATE HAZMAT SIGNS
- PAINT DAMAGE
- WOOD PANEL DAMAGE
- PREP-WORK NEEDED

